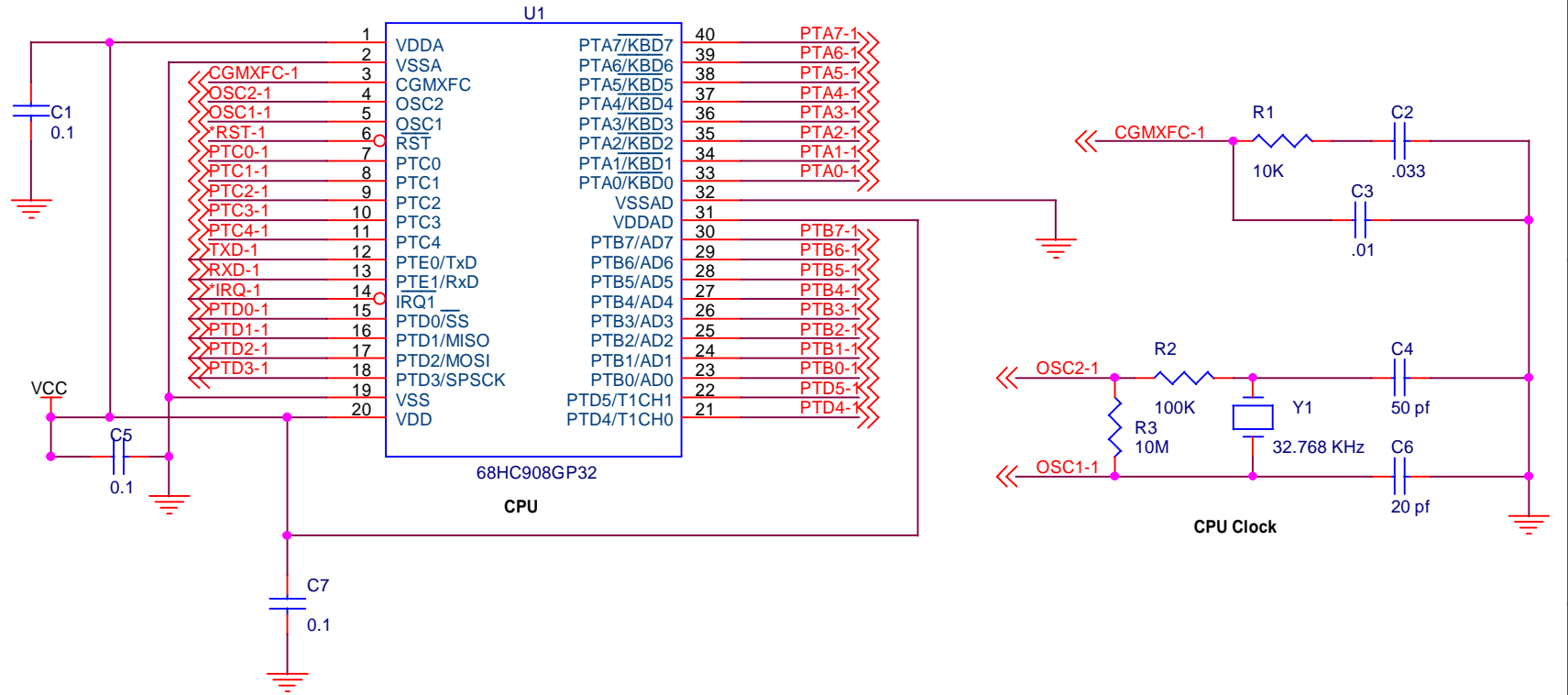


MegaView Digital Dashboard+ Configurator



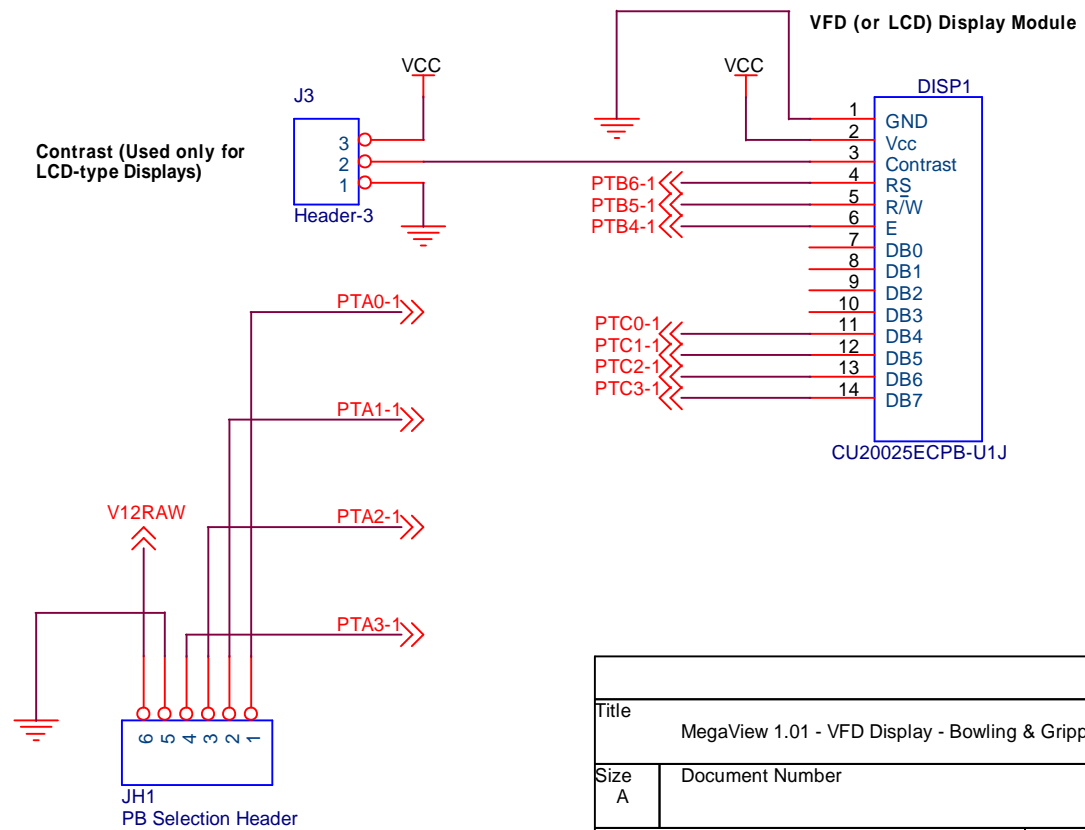
Title		
MegaView 1.01 - CPU - Bowling & Grippo		
Size	Document Number	Rev
A	V1.01	1.01
Date:	Sunday, January 12, 2003	Sheet 1 of 3

Switch Modes :

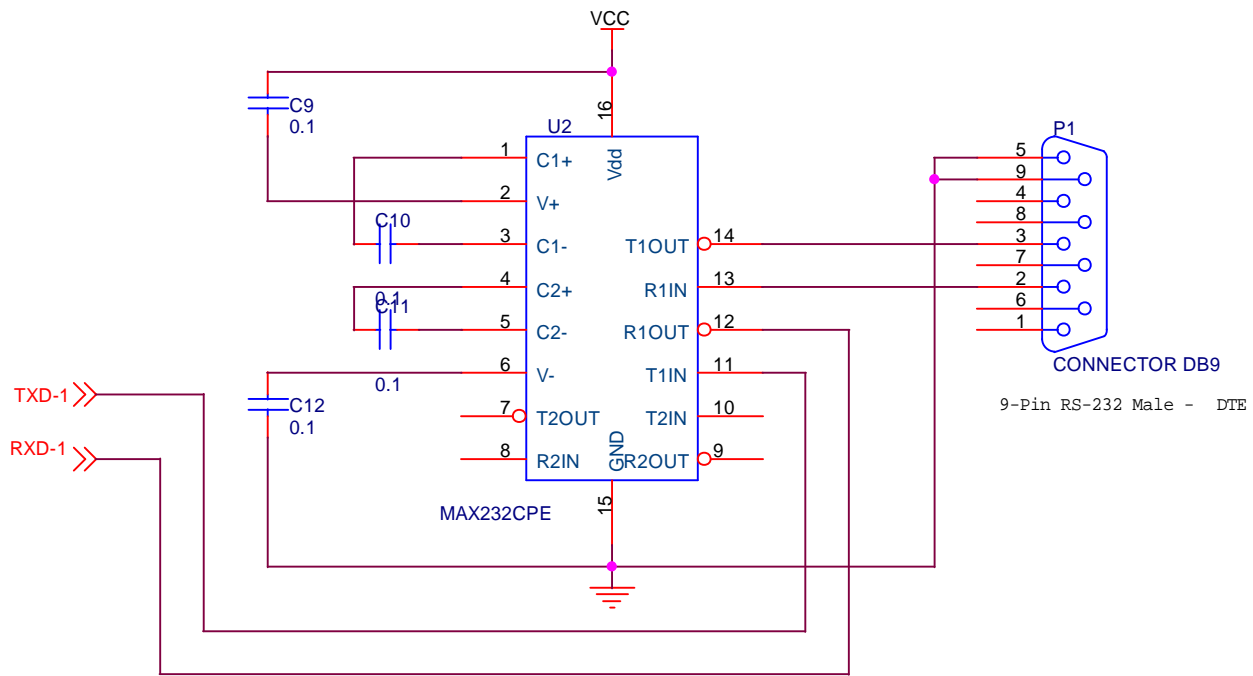
- PTA0-1 - Toggle b/w runtime and edit mode
- PTA1-1 - Freeze Runtime/Select Edit Variable
- PTA2-1 - Next Edit Entry/Increment Edit Var
- PTA3-1 - Previous Edit Entry/Decrement Edit Var

Note on Switches:

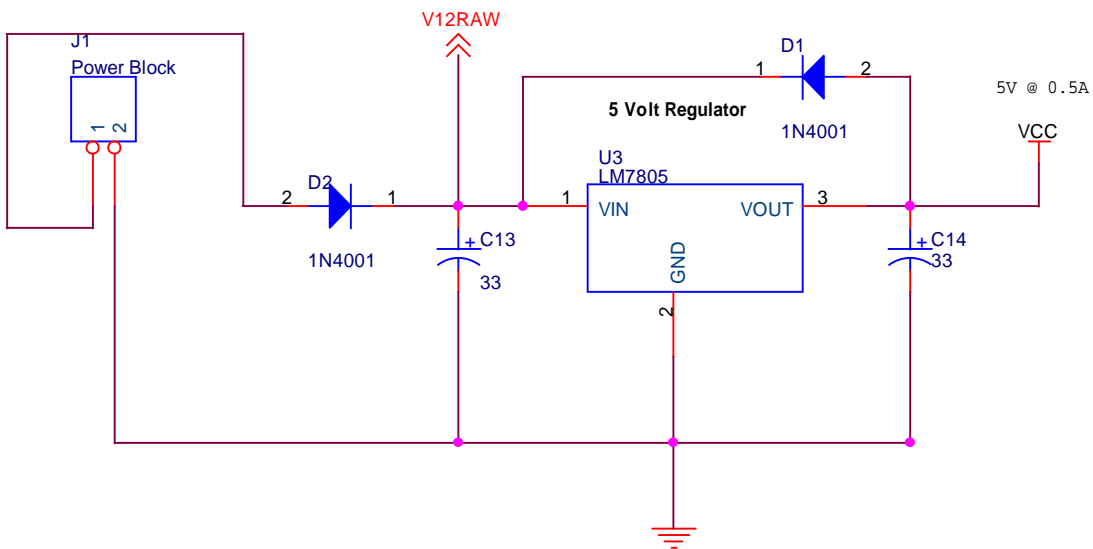
Each switch is common-ground (pin 5 on JH1).
 Do not connect any switch input to +12V (pin 6 on JH1).
 +12V on JH1 is provided for external power to other boards (RF Keyboard).



Title		
MegaView 1.01 - VFD Display - Bowling & Grippo		
Size	Document Number	Rev
A		1.01
Date:	Sunday, January 12, 2003	Sheet 36 of 3



1=+12V Switched Battery
2=Ground



Title		
MegaView 1.01 - Connector/Serial/Power		
Size	Document Number	Rev
A		1.01
Date:	Sunday, January 12, 2003	Sheet 37 of 3

